

Induction - Pro 4-zones 91 cm Glass

EAN 5414425017775



Cooking Zones

- 4-zones
- Left : 2100/3700 W - 220x180 mm
- Center left : 2100/3700 W - 220x180 mm
- Center right : 2100/3700 W - 220x180 mm
- Right : 2100/3700 W - 220x180 mm

Functions & features

- | | |
|-----------------------------|---|
| ▪ InTouch function | Standard |
| ▪ Bridge function | 2 |
| ▪ Grill function | ▪ |
| ▪ Automatic pan recognition | ▪ |
| ▪ Keep warm function (°C) | 42°C, 70°C, 94°C |
| ▪ Residual heat indication | ▪ |
| ▪ Childproof lock | ▪ |
| ▪ Pause function | ▪ |
| ▪ Timers | Minute minder, Timer per Zone,
Automatic cooking |

Design

- | | |
|----------------------|----------------------|
| ▪ Control method | Slider touch control |
| ▪ Info display color | White |
| ▪ Glass edge | Bevelled |
| ▪ Mounting method | Surface, Flushline |

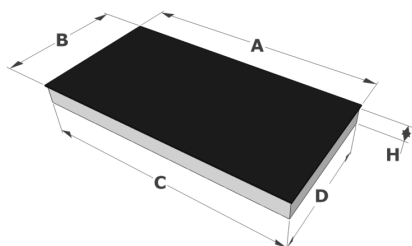
Dimensions

- | | |
|-----------------------------------|----------------|
| ▪ Product dimensions (WxDxH) (mm) | 910 x 410 x 49 |
| ▪ Cut-out worktop (WxD) (mm) | 890 x 390 |

Technical specifications

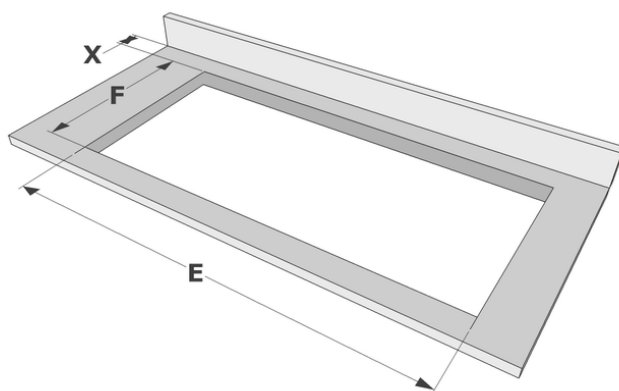
- | | |
|-------------------------|--|
| ▪ Maximum power | 7400 |
| ▪ Electrical connection | 220-240V 1L+N
220-240V 2L
220-240V 3L (BE)
380-400V 2L+N/2N |
| ▪ Frequency (Hz) | 50-60 |
| ▪ Net weight (kg) | 13,82 |

Dimensions



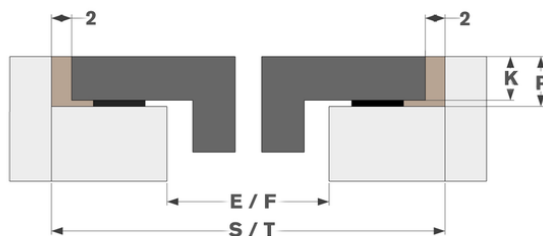
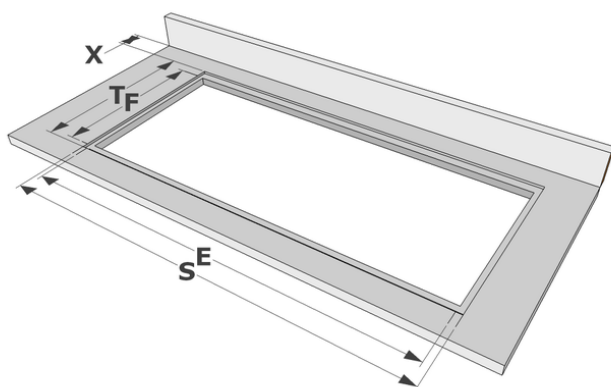
	A	B	C	D	H
mm	910	410	880	382	49

Surface



	E	F	K	P	X
mm	890	390	4	6	50

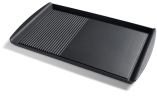
Flushline



	E	F	S	T	K	P	X
mm	890	390	914	414	4	6	50

Accessories

Cooking



1700091

Grill plate